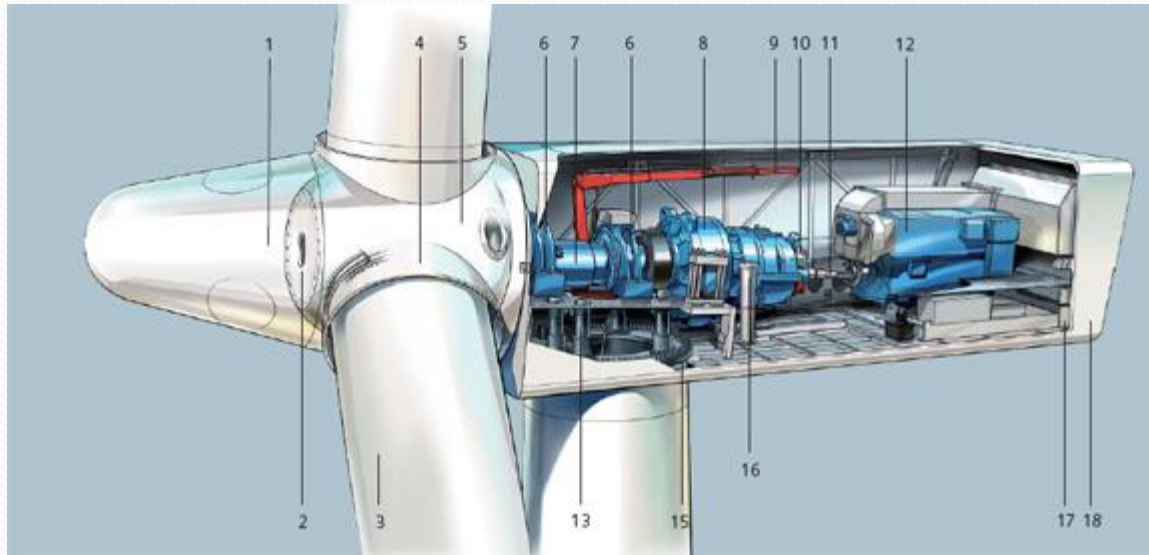
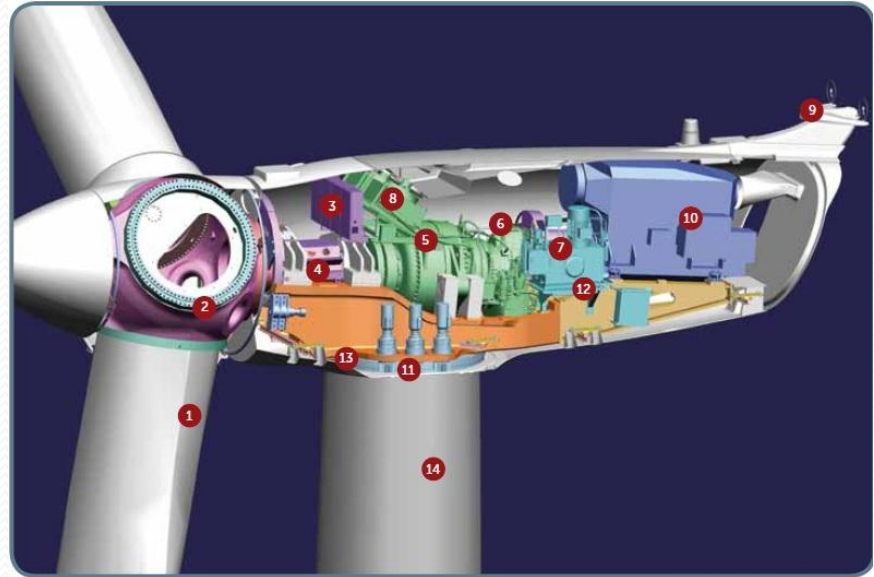


Nicholas Wood
Physics and Mechanical Engineering
Junior

Wind Turbine





Final Result

